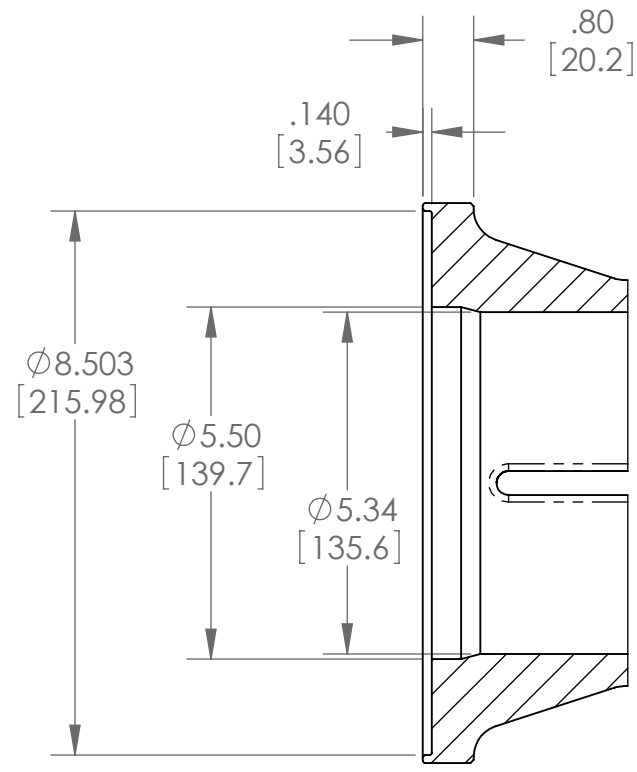
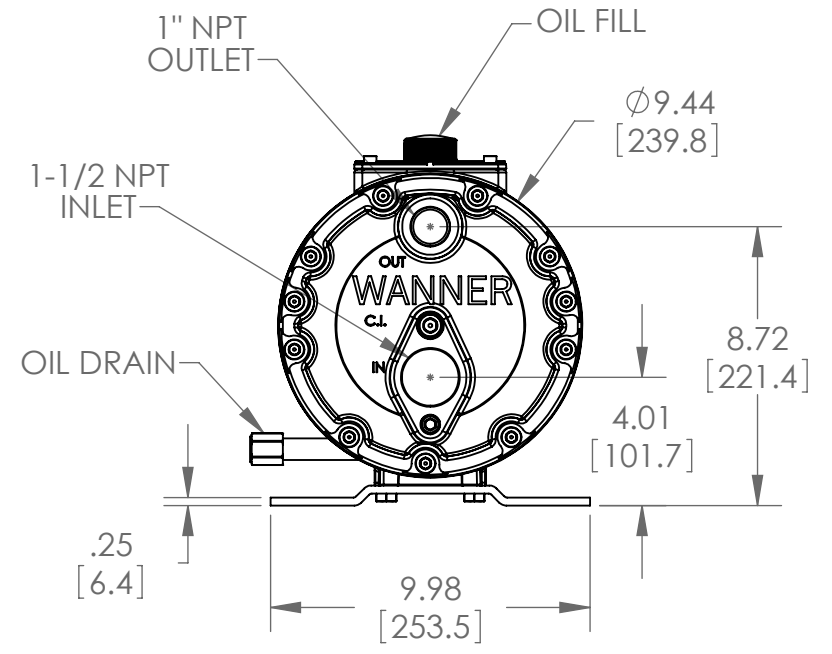
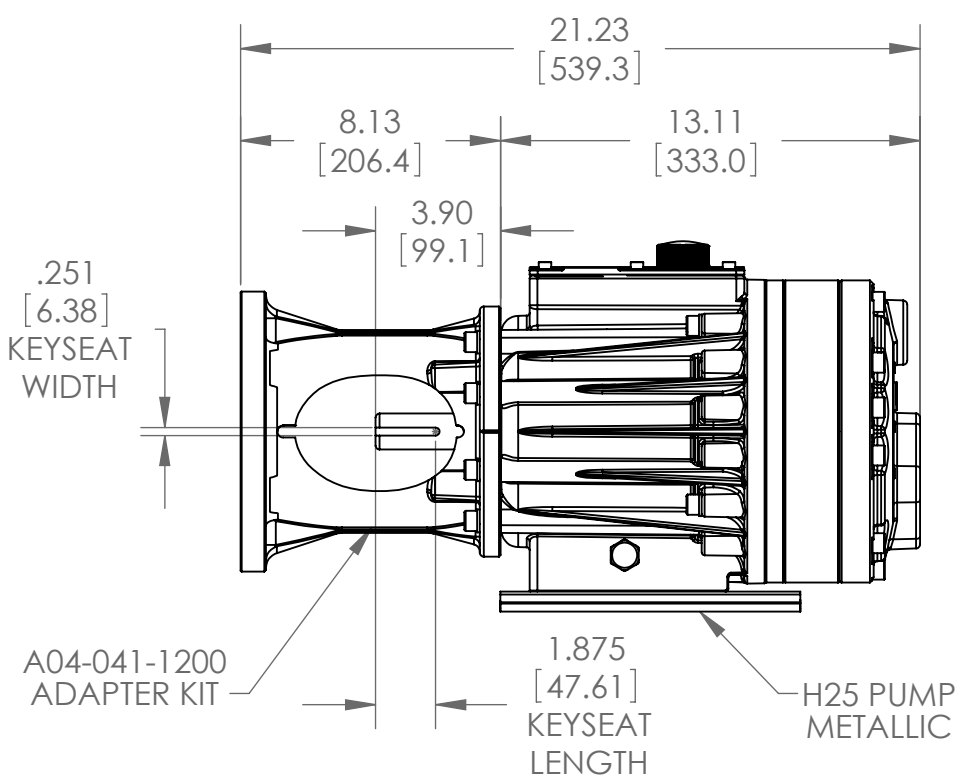
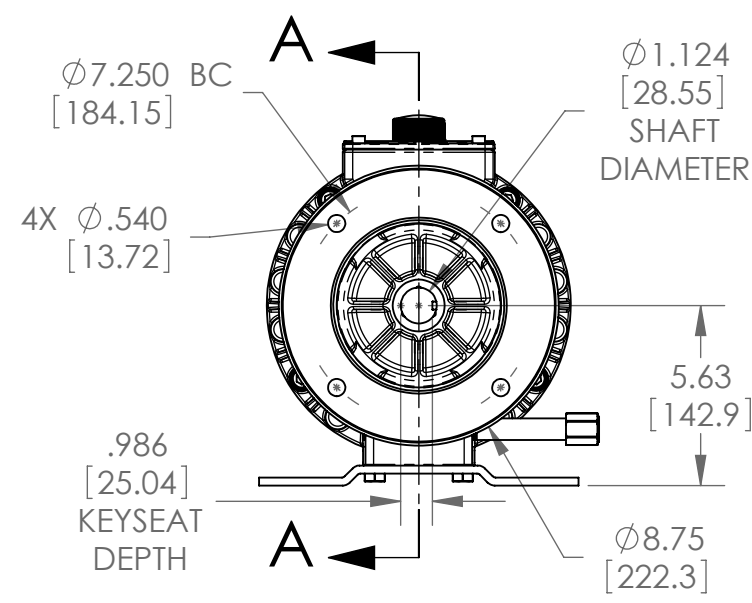
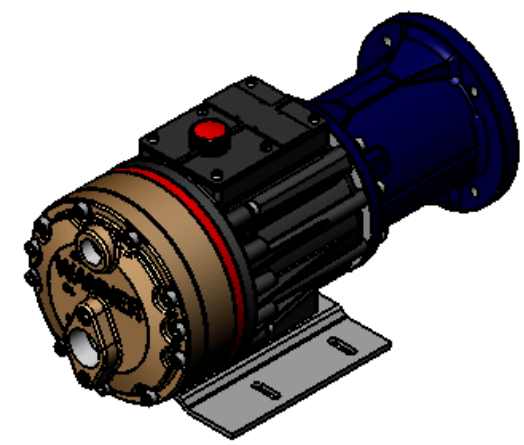
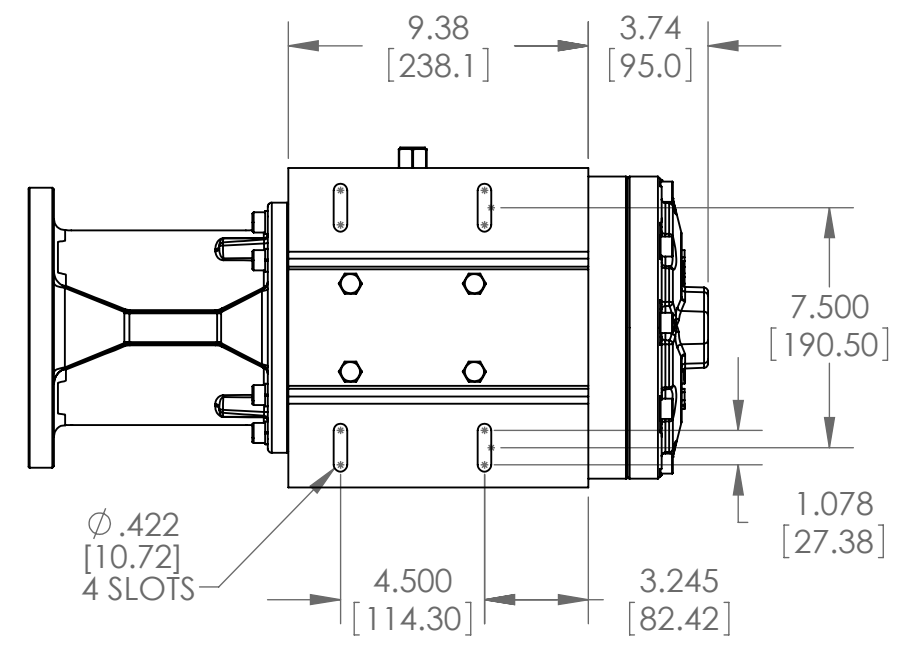


DWG NO
H25-M-1200-OD



SECTION A-A
SCALE 1 : 3



ISOMETRIC VIEW
SCALE: 1:8

<p>OUTLINE DRAWING ALL DIMENSIONS ARE REFERENCE</p> <p><small>PROPRIETARY STATEMENT This document contains confidential and proprietary information and is not to be reproduced or the information contained therein disclosed to others without consent, in writing, from WANNER ENGINEERING INC.</small></p>			DWN	08/06/08	MLS	<p>WANNER ENGINEERING INC 1204 CHESTNUT AVE. MPLS, MN 55403</p>	
			CHK'D				
<p>SHEET 1 OF 1</p>			APP'D			TITLE	OUTLINE DWG, H25 METALLIC A04-041-1200
			USED ON			DWG NO	H25-M-1200-OD
<p>SCALE: 1:6</p>			NEXT ASSY			SIZE	B
			SCALE: 1:6	FORM BBLK		REV.	A