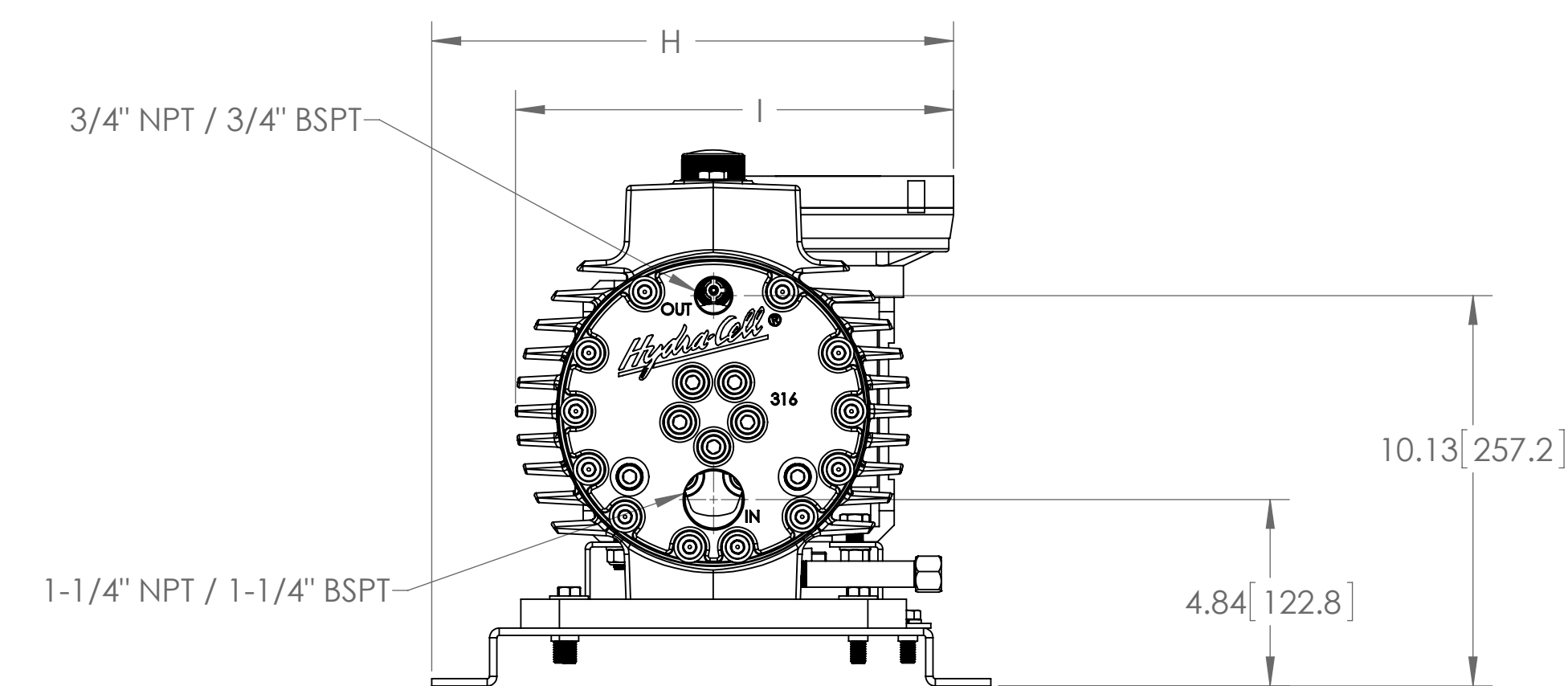
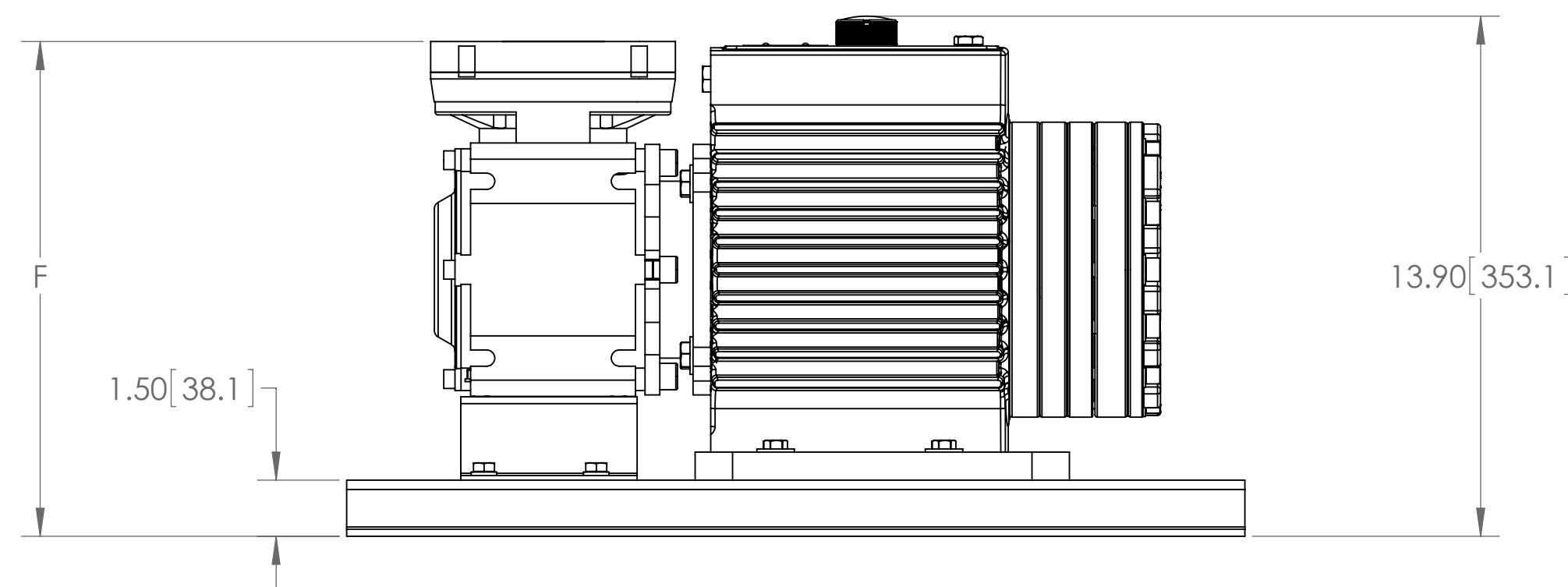
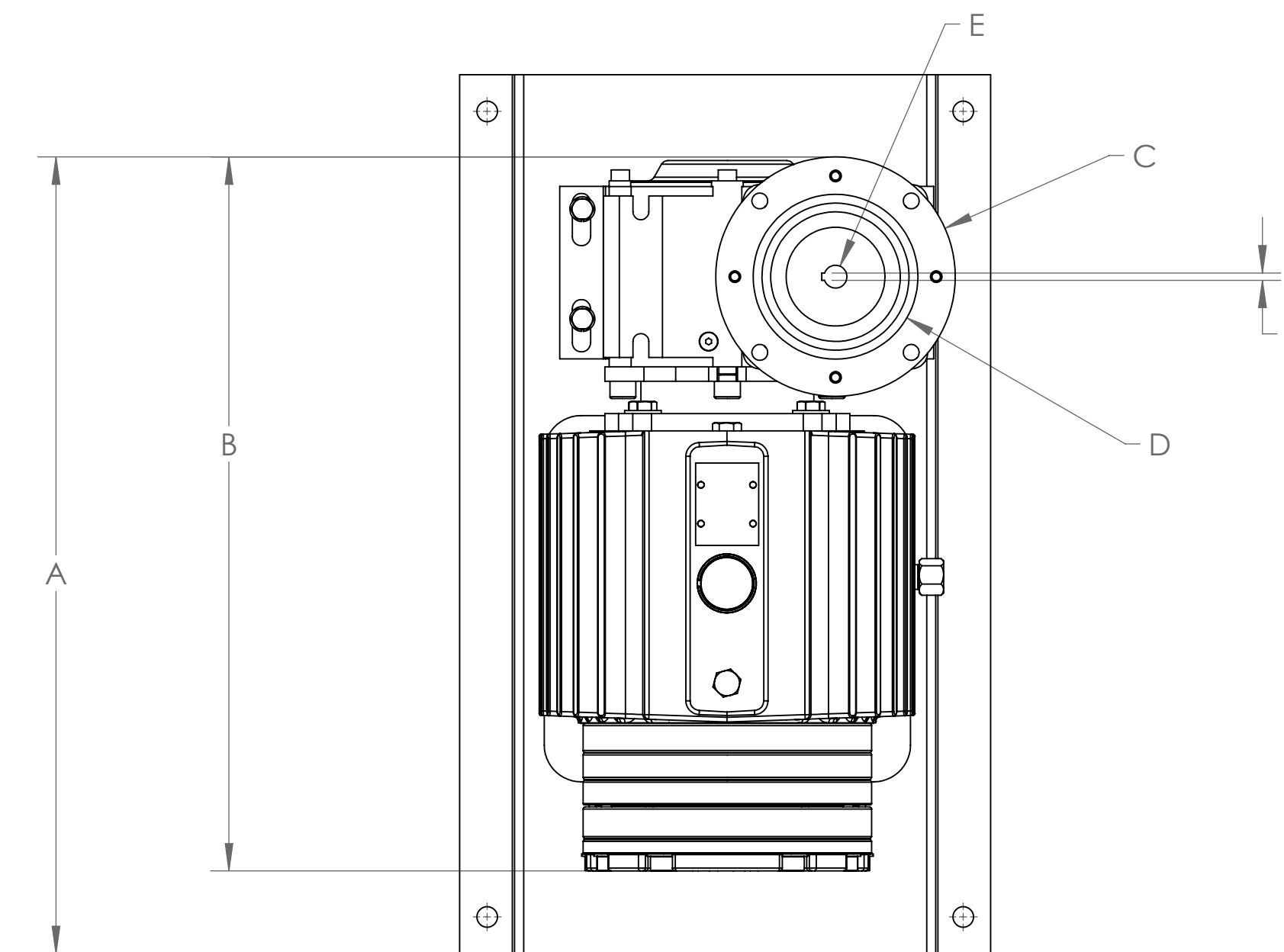
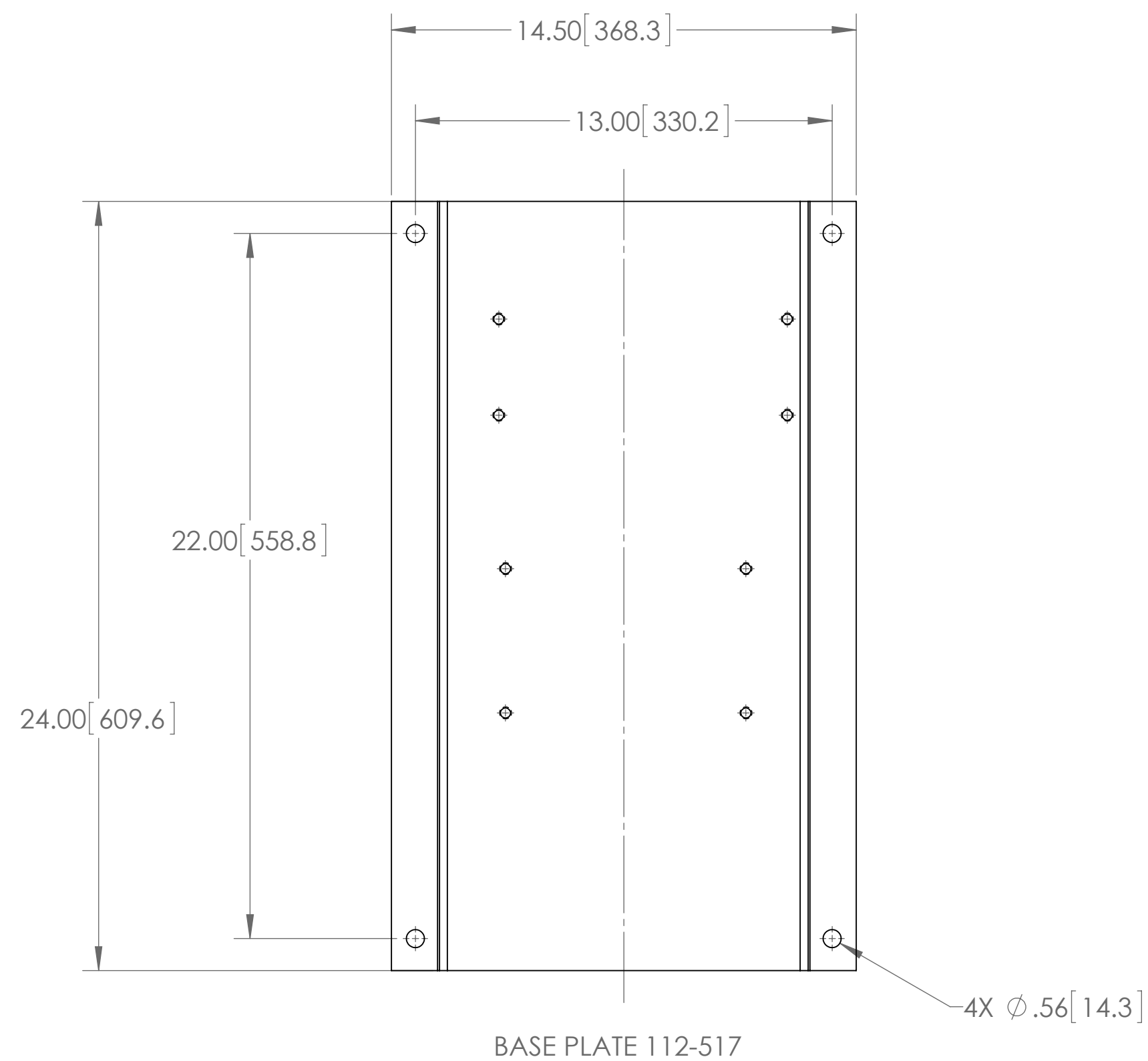


INPUT FRAME SIZE	DIMENSIONS: INCHES AND [MILLIMETERS]								
	A	B	C	D	E	F	G (SQUARE KEY)	H	I
NEMA 56C	21.76 [552.6]	19.50 [495.3]	∅ 6.54 [∅ 166]	∅ 4.50 [∅ 114.3]	∅ .62 [∅ 15.7]	13.22 [335.9]	.187 [4.75]	13.53 [343.7]	11.36 [288.5]
NEMA 143/145 TC	21.76 [552.6]	19.50 [495.3]	∅ 6.54 [∅ 166]	∅ 4.50 [∅ 114.3]	∅ .87 [∅ 22.2]	13.22 [335.9]	.187 [4.75]	13.53 [343.7]	11.36 [288.5]
NEMA 182/183 TC	23.07 [585]	20.81 [528.5]	∅ 9.17 [∅ 233]	∅ 8.50 [∅ 218.9]	∅ 1.12 [∅ 26.6]	13.77 [349.75]	.25 [6.35]	14.84 [376.9]	12.68 [322]
IEC 71 B5	21.64 [549.7]	19.38 [492.3]	∅ 6.30 [∅ 160]	∅ 4.33 [∅ 110]	∅ .55 [∅ 14]	13.03 [331]	.196 [5]	13.41 [340.6]	11.24 [285.4]
IEC 80 B5	22.42 [569.6]	20.16 [512.1]	∅ 7.87 [∅ 200]	∅ 5.12 [∅ 130]	∅ .75 [∅ 19]	13.03 [331]	.236 [6]	14.20 [360.6]	12.02 [305.3]
IEC 90 B5	22.42 [569.6]	20.16 [512.1]	∅ 7.87 [∅ 200]	∅ 5.12 [∅ 130]	∅ .94 [∅ 24]	13.03 [331]	.314 [8]	14.20 [360.6]	12.02 [305.3]
IEC 100/112 B14	21.64 [549.7]	19.38 [492.3]	∅ 6.30 [∅ 160]	∅ 4.33 [∅ 110]	∅ 1.10 [∅ 28]	13.03 [331]	.314 [8]	13.41 [340.6]	11.24 [285.4]



OUTLINE DRAWING
ALL DIMENSIONS ARE REFERENCE

PROPRIETARY STATEMENT
This document contains confidential and proprietary information and is not to be reproduced or the information contained therein disclosed to others without consent, in writing, from WANNER ENGINEERING INC.

DWN	04/25/2014	MSB
CHK'D		
APP'D		
USED ON		
NEXT ASSY		
SHEET 1 OF 1		
SCALE: 1:4		FORM DBLK

WANNER ENGINEERING INC 1204 CHESTNUT AVE. MPLS, MN 55403		SIZE D
TITLE	P500 W/NORD 75 REDUCER AND INPUT FLANGE	REV.
DWG NO	P500 PUMP SERIES F75	